

# Performance

Impressive engineering is something you come to expect with Highlander. But you'll notice it most when you're on highways, on-ramps and when you're at the gas station. That's because Highlander uses an extraordinary technology known as Dual Variable Valve Timing with intelligence to provide the ideal combination of power, efficiency and reduced emissions. And with a choice of three powerful engines – gas powered 4-cylinder or V6 and a Hybrid V6 – Highlander makes short work of even the longest journey.

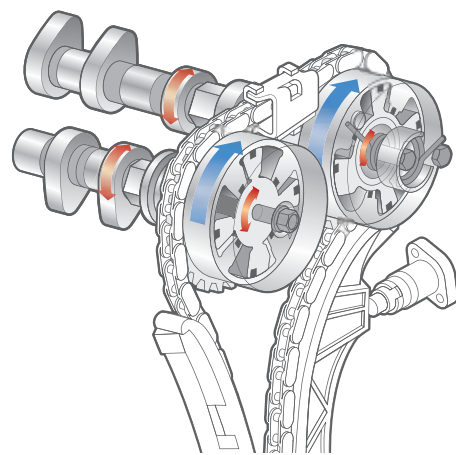


## 2.7-LITRE 4-CYLINDER

Highlander's fuel-efficient 2.7-litre 4-cylinder engine uses Dual VVT-i to help make the most of its 187 hp and 186 lb.-ft. of torque, giving you responsive power. Coupled with a 6-speed Electronically Controlled automatic Transmission with intelligence, this engine allows Highlander to get an excellent fuel economy rating of 10.4/7.3 city/highway L/100km.<sup>2</sup>

## 3.5-LITRE V6

The V6 gas models come standard with a 3.5 litre, 24-valve V6 engine that delivers 270 hp, and an exceptional fuel economy rating of 12.6/8.7 city/highway L/100km.<sup>2</sup> The Hybrid 3.5 litre 24-valve V6 engine combined with the front and rear electric motors delivers 280 hp and a fuel economy rating of 6.6/7.3 city/highway L/100km.<sup>2</sup>



## DUAL VARIABLE VALVE TIMING WITH INTELLIGENCE (DUAL VVT-i)

The Variable Valve Timing with intelligence, or VVT-i, constantly adjusts the intake valve timing to meet specific driving conditions and deliver optimum performance, fuel economy and lower emissions over a variety of engine speeds. At low engine speeds, the intake valve timing is set to open after the exhaust valve has already closed. At higher speeds, intake valve opening is advanced to overlap with the exhaust valve to promote efficient cylinder filling.

# Toyota Quality

Quality is built right into the production process from the selection of raw materials, right down to the vehicle's final inspection. And it is the responsibility of everyone to ensure the highest quality possible on each and every vehicle. It's through Toyota's philosophy of 'Kaizen' that we are always looking for ways to continually improve. That's how we make things better.

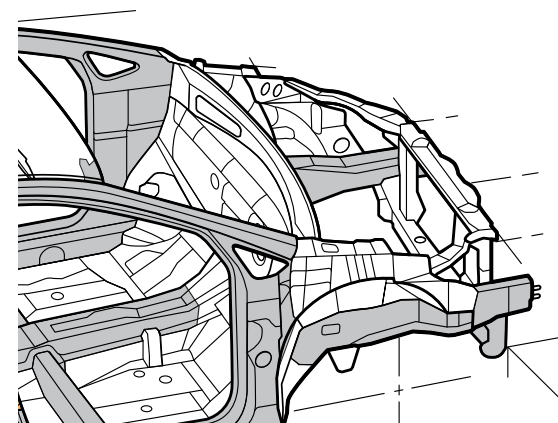
**THE TOYOTA PRODUCTION PROCESS** is one that is constantly evolving. With our "Just-In-Time" practice, the goal is to make certain that during the manufacturing process, only what is needed gets produced. The result is twofold: because there's no excess supply, any issues are exposed and promptly resolved to ensure that everything off of the Toyota assembly line is of exceptional quality.



**THE HUMAN TOUCH.** As impressive as the machinery is, the achievement of perfect fit and finish is also the result of continuous human touch for every step of the way.

## TOYOTA CANADA COLD RESEARCH CENTRE.

Located in Timmins, Ontario, our teams test Toyota vehicles in actual Canadian winter conditions at our cold weather testing track to ensure that they remain dependable throughout the long winter months.



For more information visit [toyota.ca](http://toyota.ca)

# 2011 Colours



070 Blizzard Pearl<sup>A,B,D,E</sup>



1F7 Classic Silver Metallic<sup>A,B,E</sup>



1G3 Magnetic Grey Metallic<sup>A,B,E</sup>  
(FWD, 4WD V6, 4WD V6 Ltd only)



1H1 Pre-Dawn Grey Mica<sup>A,E</sup>  
(Hybrid only)



202 Black<sup>A,B,E</sup>



3R0 Sizzling Crimson Mica<sup>A,B,E</sup>



6T7 Cypress Pearl<sup>C,D,E</sup>  
(FWD, 4WD V6, 4WD V6 Ltd only)



8S6 Nautical Blue Metallic<sup>A,B,E</sup>  
(FWD, 4WD V6, 4WD V6 Ltd only)



8V5 Shoreline Blue Pearl<sup>C,D,E</sup>

## Interior colour options

<sup>A</sup> Ash Fabric.  
<sup>B</sup> Ash Leather.

<sup>C</sup> Sand Beige Fabric.  
<sup>D</sup> Sand Beige Leather.  
<sup>E</sup> Black Leather.

Please see your Toyota Dealer for details.

# New vehicle warranty summary

NO DEDUCTIBLES – NO TRANSFER FEES

**COMPREHENSIVE COVERAGE – 3 YEARS OR 60,000 KM** This warranty includes 24 hour Roadside Assistance and other benefits, as well as coverage of repairs on any part of the vehicle that is defective in material or workmanship under normal use and maintenance. Different warranties apply to original tires.

**POWERTRAIN COMPONENTS – 5 YEARS OR 100,000 KM** This warranty covers repairs to powertrain components that are defective in material or workmanship under normal use and maintenance.

**MAJOR EMISSION CONTROL COMPONENTS – 8 YEARS OR 130,000 KM** This warranty covers repairs to specified major emission components that are defective in material or workmanship under normal use and maintenance.

**CORROSION PERFORATION – 5 YEARS UNLIMITED DISTANCE** Any sheet metal found, under normal use, to have developed a perforation from corrosion due to defects in material or workmanship.

**HYBRID-RELATED COMPONENTS\*\* – 8 YEARS OR 160,000 KM** This warranty covers repairs to hybrid-related components that are defective in material or workmanship under normal use and maintenance.

\*\*Includes: HV Battery, Battery Control Module, Hybrid Control Module and Inverter with Converter.

# 2011 Highlander/Highlander Hybrid Features

INTERIOR	FWD	4WD V6	4WD V6 Ltd	Hybrid 4WD-i	Hybrid 4WD-i Ltd
AM/FM CD/MP3/WMA Player, 6-Speakers, XM® Satellite Ready Antenna w/Prewire, Audio Auxiliary Input Jack	●	–	–	–	–
AM/FM CD/MP3/WMA Player, 6-Speakers, Bluetooth® Capability, Integrated XM® Satellite Radio, Audio Auxiliary Input Jack	–	●	–	●	–
JBL® Audio, AM/FM CD/MP3/WMA In-Dash 4-Disc Changer, 9-Speakers, Bluetooth® Capability, USB Audio Input, Integrated XM® Satellite Radio, Audio Auxiliary Input Jack	–	–	●	–	●
Steering Wheel Audio Controls	–	●	●	●	●
Roof-Mounted Antenna	●	●	●	●	●
Backup Camera w/3.5" TFT Display	–	●	●	●	–
DVD Based Navigation System <sup>5</sup> w/Backup Camera, 8.0" LCD Display	–	–	●	–	●
Air Conditioning, Cabin Air Filter, Rear-Seat Heater Ducts	●	●	–	●	–
Tri-Zone Automatic Climate Control, Steering Wheel Climate Controls, Cabin Air Filter, Rear Seat Heater Ducts	–	–	●	–	●
Fabric Seat & Door Trim Material	●	–	–	–	–
Premium Cloth Seat & Door Trim Material	–	●	–	●	–
Leather Seat Surfaces & Simulated Leather Door Trim	–	–	●	–	●
Front Bucket Seats	●	●	●	●	●
Power 8-Way Adjustable Driver Seat w/Lumbar Support	–	●	–	●	–
Power, Heated 10-Way Adjustable Driver Seat, w/Lumbar Support	–	–	●	–	●
Front Passenger Seat w/Recline, Fore/Aft	●	●	–	●	–
Power, Heated 4-Way Adjustable Passenger Seat	–	–	●	–	●
40/20/40 Split Middle Seats w/Slide, Recline, Foldable Armrest, Toyota Center Stow™ Seat/Console	●	●	●	●	●
3rd Row Flat Folding 50/50 Split Rear Bench Seat	●	●	●	●	●
Rear Seat Remote Release in Cargo Area	●	●	●	●	●
All-Position Vertically Adjustable Headrests	●	●	●	●	●
Power Door Locks, Power Windows w/Driver Side Auto Up/Down	●	●	●	●	●
Optitron Gauges, Water Temperature Gauge, Dual Trip Odometer, Tachometer	●	●	●	●	●
Multi-Information Display, Outside Temperature Gauge	–	●	●	●	●
Kilowatt Power Meter	–	–	–	●	●
Dual Vanity Mirrors	●	●	–	–	–
Dual Illuminated Vanity Mirrors	–	–	●	●	●
Auto-Dimming Rear View Mirror	–	●	●	●	●
Flip-Up Rear Hatch Glass	–	●	●	–	●
4-Spoke Tilt/Telescopic Steering Wheel	●	●	●	●	●
Leather-Wrapped Steering Wheel & Shift Knob	–	–	●	–	●
Woodgrain Trim	–	–	●	–	●
Scuff Plates	●	●	●	●	●
Tonneau Cover	–	●	●	●	●
Carpeting, Carpet Floor Mats	●	●	●	●	●
Cruise Control	●	●	●	●	●
Digital Clock	●	●	●	●	●

● = Standard ○ = Optional – = Not Available

INTERIOR (cont'd)	FWD	4WD V6	4WD V6 Ltd	Hybrid 4WD-i	Hybrid 4WD-i Ltd
Digital Compass	–	●	–	●	–
Push Button Start, Smart Key System	–	–	●	–	●
Overhead Sunglass Storage, Front & Rear Cupholders	●	●	●	●	●
Front Centre Console Box w/Lid	●	●	●	●	●
Front Seat Back Pockets	●	●	●	●	●
Cargo Area Tie-Down Rings, Shopping Hooks, Coat Hooks	●	●	●	●	●
Under Cargo Area Storage Compartment	●	●	●	●	●
Door Map Pockets	●	●	●	●	●
Power Rear Door w/Jam Protection	–	●	●	–	●
Integrated Garage Door Opener	–	–	●	–	●
Accessory Power Outlet, Retained Accessory Power	●	●	●	●	●
Cargo Lamp, Door Courtesy Lamps, Glove Box Lamp	●	●	●	●	●
Rear Reading Lamps	–	–	●	–	●
Front & Rear Area Lamps, Map Lamps	●	●	●	●	●
Illuminated Ignition Key & Entry	●	●	●	●	●
Keyless Entry	●	–	–	●	–
Keyless Entry w/Hatch Release	–	●	●	–	●

SAFETY	FWD	4WD V6	4WD V6 Ltd	Hybrid 4WD-i	Hybrid 4WD-i Ltd
Dual-Stage Driver & Front Passenger Airbag Supplemental Restraint System (SRS) <sup>1</sup>	●	●	●	●	●
Front Passenger Airbag Status Indicator	●	●	●	●	●
Front Seat-Mounted Side Airbags (SRS) <sup>1</sup>	●	●	●	●	●
Driver Knee Airbag (SRS) <sup>1</sup>	●	●	●	●	●
Roll-Sensing Front & Rear Head/Side Curtain Airbags (SRS) <sup>1</sup>	●	●	●	●	●
Active Front Headrests	●	●	●	●	●
Front Seatbelt Pre-Tensioners & Force Limiters	●	●	●	●	●
All-Position 3-Point Lap & Shoulder Belts	●	●	●	●	●
Front Seatbelt Anchor Height Adjusters	●	●	●	●	●
Anchor Points for Child Restraint Seats	●	●	●	●	●
Child Protector Rear Door Locks	●	●	●	●	●
Front Tow Hook	●	●	●	●	●
Assist Grips	●	●	●	●	●
Vehicle Anti-theft System	–	–	●	–	●
Engine Immobilizer	●	●	●	●	●
Remote Fuel Lid Release	●	●	●	●	●
Automatic Transmission Fluid Temperature Indicator	●	●	●	–	–
Low Fuel, Low Washer Fluid, Door Ajar Warning Indicators	●	●	●	●	●
Driver & Front Passenger Seatbelt Warning Indicators	●	●	●	●	●
Tire Pressure Monitoring System	●	●	●	●	●

EXTERIOR	FWD	4WD V6	4WD V6 Ltd	Hybrid 4WD-i	Hybrid 4WD-i Ltd
17" Aluminum Alloy Wheels, Wheel Locks	●	●	–	●	–
19" Aluminum Alloy Wheels, Wheel Locks	–	–	●	–	●
Electric Rear Window Defroster w/Timer	●	●	●	●	●
Rear Privacy Glass	●	●	●	–	●
High Solar Energy Absorbing Window Glass	–	●	●	●	●
Front & Rear Splash Guards, Coloured Bumpers, Mirrors & Grille	●	●	●	●	●
Coloured Door Handles	●	●	–	●	–
Chrome Door Handles	–	–	●	–	●
Roof Rails	●	●	–	●	–
Silver Painted Roof Rails	–	–	●	–	●
Roof Rail Crossbars	–	●	●	–	●
Power Tilt/Slide Moonroof w/Sunshade	–	–	●	–	●
Coloured Rear Spoiler w/LED Stoplamp	●	●	●	●	●
Limited Badging	–	–	●	–	●
Dual Heated, Power Remote-Control, Foldable Mirrors	●	●	●	–	●
Puddle Lamps	–	–	●	–	●
Variable Intermittent Wipers, Intermittent Rear Window Wiper/Washer	●	●	●	●	●
Windshield Wiper De-Icer	●	●	●	●	●
Halogen Headlamps	●	●	●	●	●
Reflector Style Low Beam Headlamps	●	●	●	●	●
Automatic Headlamp System	●	●	●	–	●
Automatic Headlamp Cancel Function	–	–	–	●	–
Fog Lamps	●	●	●	●	●

PACKAGES	FWD	4WD V6	4WD V6 Ltd	Hybrid 4WD-i	Hybrid 4WD-i Ltd
<b>Leather Package:</b> Leather Seat Surfaces, Heated Front Seats w/Seat-Mounted High & Low Temperature Setting, Integrated Garage Door Opener	–	○	–	–	–
<b>Sport Package:</b> 19" Aluminum Alloy Wheels, P245/55R19 All-Season Tires, Tri-Zone Automatic Climate Control, Power Tilt/Slide Moonroof w/Sunshade, Leather Seat Surfaces, Heated Front Seats w/Console-Mounted Variable Temperature Setting, Leather-Wrapped Steering Wheel & Shift Knob, Integrated Garage Door Opener	–	○	–	–	–
<b>Comfort Package: (Hybrid)</b> 19" Aluminum Alloy Wheels, P245/55R19 All-Season Tires, Leather-Wrapped Steering Wheel & Shift Knob, Flip-Up Rear Hatch Glass, Power Rear Door w/Jam Protection, Automatic Headlamp System, Power Tilt/Slide Moonroof w/Sunshade, Leather Seat Surfaces, Heated Driver & Front Passenger Seats, Vehicle Anti-theft System, Push Button Start, Smart Key System, Integrated Garage Door Opener, Rear Privacy Glass	–	–	–	○	–

# 2011 Highlander/Highlander Hybrid Specifications

	FWD	4WD V6	4WD V6 Ltd	Hybrid 4WD-i	Hybrid 4WD-i Ltd
<b>MECHANICAL</b>					
<b>Engine</b>					
2.7 Litre, 4-Cylinder, DOHC, 16-Valve, Dual Variable Valve Timing w/intelligence (Dual VVT-i), Sequential Multiport Electronic Fuel Injection	●	-	-	-	-
3.5 Litre, V6, DOHC, 24-Valve, Dual Variable Valve Timing w/intelligence (Dual VVT-i), Sequential Multiport Electronic Fuel Injection	-	●	●	-	-
3.5 Litre, V6, DOHC, 24-Valve, Variable Valve Timing w/intelligence (VVT-i), Hybrid Synergy Drive (HSD), Sequential Multiport Electronic Fuel Injection	-	-	-	●	●
<b>Compression Ratio</b>					
10.0:1	●	-	-	-	-
10.8:1	-	●	●	●	●
<b>Horsepower</b>					
187 hp (140 kW) @ 5800 rpm	●	-	-	-	-
270 hp (201 kW) @ 6200 rpm	-	●	●	-	-
<b>Hybrid System Net Power</b>					
<b>Net Horsepower:</b> 280 hp (209 kW) <sup>6</sup>	-	-	-	●	●
<b>Net Torque:</b> Output will vary depending upon HV Battery state and demand on vehicle	-	-	-	●	●
<b>Torque</b>					
186 lb.ft. (252 N.m.) @ 4100 rpm	●	-	-	-	-
248 lb.ft. (336 N.m.) @ 4700 rpm	-	●	●	-	-
<b>Electric Motor</b>					
<b>Front/Rear:</b> Permanent Magnet Motor	-	-	-	●	●
<b>HV Battery</b>					
Sealed Nickel-Metal Hydride (Ni-MH)	-	-	-	●	●

● = Standard ○ = Optional - = Not Available

	FWD	4WD V6	4WD V6 Ltd	Hybrid 4WD-i	Hybrid 4WD-i Ltd
<b>MECHANICAL (cont'd)</b>					
<b>Suspension</b>					
<b>Front/Rear:</b> 4-Wheel Independent MacPherson Gas Struts w/Front & Rear Stabilizer Bars and Anti-Vibration Subframe	●	●	●	●	●
<b>Drivetrain</b>					
Front Engine/Front Wheel Drive, Vehicle Stability Control (VSC), Traction Control (TRAC)	●	-	-	-	-
Full-Time 4WD, Vehicle Stability Control (VSC), Hill-start Assist Control (HAC), Downhill Assist Control (DAC), Traction Control (TRAC)	-	●	●	-	-
Vehicle Dynamics Integrated Management (VDIM), Vehicle Stability Control (VSC), Traction Control (TRAC), On Demand Electronic 4WD-i	-	-	-	●	●
<b>Transmission</b>					
6-Speed, Automatic, Electronically Controlled Transmission (ECT), Overdrive, Sequential Shift Mode	●	-	-	-	-
5-Speed, Automatic, Electronically Controlled Transmission (ECT), Overdrive, Sequential Shift Mode	-	●	●	-	-
Gate-Type Shifter, Lock-Up Torque Converter, Transmission Cooler	●	●	●	-	-
Electronically Controlled Continuously Variable Transmission (ECVT), Power Split Device, Transmission Cooler	-	-	-	●	●
<b>Brakes</b>					
Power-Assisted, Ventilated Front Discs, Solid Rear Discs, Antilock Braking System (ABS) w/Electronic Brake-force Distribution (EBD) & Brake Assist (BA)	●	●	●	●	●
Integrated Regenerative Braking System, Electronically Controlled Hydraulic Braking System (ECB2)	-	-	-	●	●
<b>Steering</b>					
Electric Rack & Pinion w/Variable Power Assist	●	●	●	●	●
<b>Tires</b>					
P245/65R17, All-Season Radials, Full-Size Spare w/Alloy Wheel	●	●	-	●	-
P245/55R19, All-Season Radials, Full-Size Spare w/Alloy Wheel	-	○	●	○	●

<sup>1</sup>All Toyota vehicles shown in this brochure, have Supplemental Restraint Systems (SRS) which, depending on the model, may include driver and front passenger airbags, a driver's knee airbag, front seat-mounted side airbags or side curtain airbags. For important safety information about the Supplemental Restraint System in a vehicle, please see the Owner's Manual or contact your local Toyota Dealer.

<sup>2</sup>These estimates are based on the Government of Canada's approved criteria and testing methods. The actual fuel consumption of this vehicle may vary. Refer to the Government of Canada publication *EnerGuide Fuel Consumption Guide*.

<sup>3</sup>Payload = Passengers, Equipment, Luggage and Cargo.

<sup>4</sup>Toyota tests certain phones for compatibility with Bluetooth technology. Some vehicles equipped with Bluetooth technology are available with bilingual capability. Note that the recommendation of Toyota is not a warranty of the performance for any phone and that some problems may occur with any type of handset based on the service coverage available in your area. Please see your Toyota Dealer for details.

	FWD	4WD V6	4WD V6 Ltd	Hybrid 4WD-i	Hybrid 4WD-i Ltd
<b>DIMENSIONS</b>					
<b>Length</b>					
	4785 (188.4)	●	●	●	-
	4795 (188.8)	-	-	-	●
<b>Width</b>	1910 (75.2)	●	●	●	●
<b>Height (Unloaded)</b>	1760 (69.3)	●	●	●	●
<b>Wheelbase</b>	2790 (110.0)	●	●	●	●
<b>Track</b>	<b>Front:</b> 1625 (64.0)	●	●	●	●
	<b>Rear:</b> 1630 (64.1)	●	-	-	-
	<b>Rear:</b> 1625 (64.0)	-	-	-	●
<b>Seating Capacity</b>	7	●	●	●	●
<b>Headroom</b>	<b>Front:</b> 1032 (40.6)	●	●	-	●
	<b>2nd Row:</b> 1019 (40.1)	●	●	●	-
	<b>2nd Row:</b> 1011 (39.8)	-	-	-	●
	<b>3rd Row:</b> 922 (36.3)	●	●	●	●
	<b>Front:</b> 1008 (39.7) w/Moonroof	-	○	●	○
<b>Legroom</b>	<b>Front:</b> 1096 (43.2)	●	●	●	●
	<b>2nd Row:</b> 973 (38.3)	●	●	-	-
	<b>2nd Row:</b> 976 (38.4)	-	-	-	●
	<b>3rd Row:</b> 759 (29.9)	●	●	●	●
<b>Shoulder Room</b>	<b>Front:</b> 1517 (59.7)	●	●	●	●
	<b>2nd Row:</b> 1512 (59.5)	●	●	●	●
	<b>3rd Row:</b> 1397 (55.0)	●	●	●	●
<b>Ground Clearance</b>	197 (7.8)	●	-	-	-
	206 (8.1)	-	●	●	-
	185 (7.3)	-	-	-	●
<b>Approach Angle (degrees)</b>	29	●	●	●	●
<b>Departure Angle (degrees)</b>	24	●	●	●	●

<sup>5</sup>The Toyota DVD based Navigation system is designed to assist in locating an address or point of interest. Discrepancies may be encountered between the system and your actual location. Changes in street names, road closures, traffic flow or other road system changes may affect the accuracy of the mapping software. Rely on your common sense to decide whether or not to follow a specified route. Detailed coverage is not available in every city. Optional periodic geographic updates are available at an additional cost. The Navigational systems in some vehicles are available with bilingual capability. Please see your Navigation system Owner's Manual and your Toyota Dealer for further details.

<sup>6</sup>The maximum output indicates engine plus HV battery output.

<sup>7</sup>Compared against similarly equipped conventional gasoline powered vehicles. Based on North American sales data and Federal Tier 2 engine emission requirements.

	FWD	4WD V6	4WD V6 Ltd	Hybrid 4WD-i	Hybrid 4WD-i Ltd
<b>CURB WEIGHT</b>					
	1745 (3847)	●	-	-	-
	1895 (4178)	-	●	-	-
	1960 (4321)	-	-	●	-
	2105 (4641)	-	-	-	●
<b>TOWING CAPACITY</b>					
	1587 (3500)	●	-	-	●
	2268 (5000)	-	●	●	-
<b>PAYLOAD<sup>3</sup></b>					
	658 (1450)	●	-	-	-
	826 (1822)	-	●	-	-
	762 (1679)	-	-	●	-
	544 (1200)	-	-	-	●
<b>CARGO CAPACITY</b>					
	2.70 (95.4) Behind Front Seats	●	●	●	-
	2.66 (94.1) Behind Front Seats	-	-	-	●
	1.20 (42.3) Behind 2nd Row Seats	●	●	●	●
	0.29 (10.3) Behind 3rd Row Seats	●	●	●	●
<b>TURNING CIRCLE</b>					
	11.8 (38.7)	●	●	●	●
<b>FUEL CAPACITY</b>					
	72.5 (15.9)	●	●	●	-
	65.0 (14.3)	-	-	-	●
<b>FUEL CONSUMPTION RATING<sup>2</sup></b>					
	<b>L/100 km</b>				
	<b>mpg (imperial gallon)</b>				
City/Highway/Combined					
4-Cylinder	10.4/7.3/9.0	27/39/31	●	-	-
V6	12.6/8.7/10.9	22/32/26	-	●	●
Hybrid	6.6/7.3/6.9	43/39/41	-	-	●

**Toyota Canada Inc.** Every effort has been made to ensure the specifications and equipment shown are accurate based on information available at time of printing. In some cases, certain changes in production capacity, standard equipment, options or product delays may occur which would not be reflected in this brochure. Toyota Canada Inc. reserves the right to make these changes without notice or obligation. The Toyota website [toyota.ca](http://toyota.ca) – or your Toyota Dealer is your best source for up-to-date information.