

Safety and Performance

The 2010 Highlander comes with one of the most comprehensive lists of standard safety features in its class, including advanced traction, braking and stability control technologies to help you avoid an accident. And with a choice of three powerful engines – gas powered 4-cylinder or V6 and a Hybrid V6 – Highlander makes short work of even the longest journey.



SEVEN AIRBAGS¹ **A.** Highlander's passive safety systems include advanced Supplemental Restraint System (SRS) front airbags for the driver and front passenger seats. **B.** SRS front seat-mounted side airbags also provide protection to the driver and front-seat passenger in the event of certain types of side-impact collisions. **C.** Driver knee-airbag. **D.** Roll-Sensing Curtain Airbags (RSCA) help provide protection for every seat row not only in a side collision, but in the event of a vehicle rollover. **E.** The front seats also incorporate active headrests. The occupant's lower back applies pressure that moves the headrest up and forward in the event of a severe rear-end collision.

TRACTION CONTROL (TRAC) A system that uses Highlander's advanced braking technologies to help control wheel spin when starting or accelerating on a slippery surface.

VEHICLE STABILITY CONTROL (VSC) helps prevent the vehicle from slipping sideways as a result of severe skidding while cornering and improves stability by automatically regulating engine output and brake-force distribution to the wheels.

HILL-START ASSIST CONTROL (HAC) Starting off on a steep or slippery incline can be tricky. HAC helps to ensure smooth hill starts by applying brake pressure to all four wheels for approximately two seconds in order to hold Highlander and prevent rollback.

DOWNHILL ASSIST CONTROL (DAC) Controlling a vehicle during a steep descent can also be a challenge. DAC helps the driver negotiate steep, low-speed descents confidently by automatically controlling the brake-force at all four wheels. DAC helps reduce wheel lock-up, thus ensuring steering performance and enhancing the driver's ability to avoid obstacles and change direction.

4WD V6 Sport shown in Blue Streak Metallic.

SNOW-COVERED ROAD? Simply press a button and the transmission automatically adjusts to help make driving on slippery surfaces more secure. When you accelerate from a standstill, it will start in second gear to help prevent the drive wheels from spinning.



Toyota Quality

Quality is built right into the production process from the selection of raw materials, right down to the vehicle's final inspection. And it is the responsibility of everyone to ensure the highest quality possible on each and every vehicle. It's through Toyota's philosophy of 'Kaizen' that we are always looking for ways to continually improve. That's how we make things better.

THE TOYOTA PRODUCTION PROCESS is one that is constantly evolving. With our "Just-In-Time" practice, the goal is to make certain that during the manufacturing process, only what is needed gets produced. The result is twofold: because there's no excess supply, any issues are exposed and promptly resolved to ensure that everything off of the Toyota assembly line is of exceptional quality.



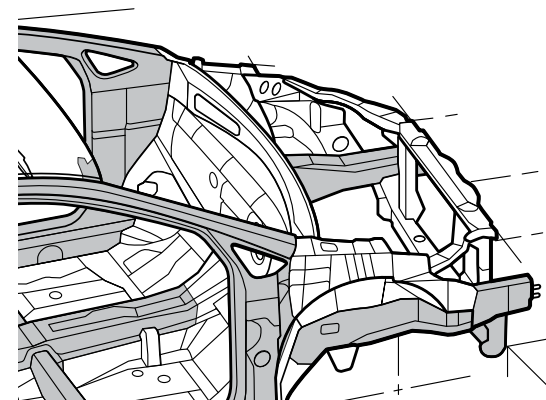
THE HUMAN TOUCH. As impressive as the machinery is, the achievement of perfect fit and finish is also the result of continuous human touch for every step of the way.

SOUND PROOFING TECHNOLOGY. Our Toyota team seeks out every source of noise within the vehicle and works to ensure that they are no longer an issue. This is achieved by using a network of complex sound-absorbing and vibration-damping materials to isolate our interiors from the outside.



TOYOTA CANADA COLD RESEARCH CENTRE. Located in Timmins, Ontario, our teams simulate Canadian winter conditions at our cold weather testing track to make certain that our vehicles remain dependable throughout the long winter months.

TOYOTA'S COMMITMENT TO QUALITY is evident by the frequent awards won by Toyota vehicles, the Canadian manufacturing plants, as well as the millions of satisfied customers who continue to choose Toyota vehicles year after year. For more information visit toyota.ca



2010 Colours



070 Blizzard Pearl^{A,B,D,E}



1F7 Classic Silver Metallic^{A,B,E}



1G3 Magnetic Grey Metallic^{A,B,E}



202 Black^{A,B,E}



3Q3 Salsa Red Pearl^{C,D,E}



6T7 Cypress Pearl^{A,B,C,D,E}



8S7 Wave Line Pearl^{A,B}
(Hybrid only)



8T7 Blue Streak Metallic^E
(Sport only)



9AG Iced Amethyst Mica^{A,B}
(Hybrid only)

Interior colour options

- ^A Ash Fabric.
- ^B Ash Leather.
- ^C Sand Beige Fabric.
- ^D Sand Beige Leather.
- ^E Black Leather.

Please see your Toyota Dealer for details.

New vehicle warranty summary

NO DEDUCTIBLES – NO TRANSFER FEES

COMPREHENSIVE COVERAGE – 3 YEARS OR 60,000 KM This warranty includes 24 hour Roadside Assistance and other benefits, as well as coverage of repairs on any part of the vehicle that is defective in material or workmanship under normal use and maintenance. Different warranties apply to original tires.

POWERTRAIN COMPONENTS – 5 YEARS OR 100,000 KM This warranty covers repairs to powertrain components that are defective in material or workmanship under normal use and maintenance.

MAJOR EMISSION CONTROL COMPONENTS – 8 YEARS OR 130,000 KM This warranty covers repairs to specified major emission components that are defective in material or workmanship under normal use and maintenance.

CORROSION PERFORATION – 5 YEARS UNLIMITED DISTANCE Any sheet metal found, under normal use, to have developed a perforation from corrosion due to defects in material or workmanship.

HYBRID-RELATED COMPONENTS – 8 YEARS OR 160,000 KM** This warranty covers repairs to hybrid-related components that are defective in material or workmanship under normal use and maintenance.

**Includes: HV Battery, Battery Control Module, Hybrid Control Module and Inverter with Converter.



2010 Highlander/Highlander Hybrid Features

| | FWD | 4WD V6 | 4WD V6 Sport | 4WD V6 Ltd | Hybrid 4WD-i Ltd | Hybrid 4WD-i |
|---|-----|--------|--------------|------------|------------------|--------------|
| INTERIOR | | | | | | |
| AM/FM CD/MP3/WMA Player, 6-Speakers, Audio Auxiliary Input Jack | ● | - | - | - | ● | - |
| AM/FM CD/MP3/WMA/Changer, 6-Speakers, Audio Auxiliary Input Jack, XM® Satellite Ready Antenna w/Prewire | - | ● | ● | - | - | - |
| JBL® AM/FM CD/MP3/WMA/Changer, 9-Speakers, Bluetooth® Capability, XM® Satellite Ready Antenna w/Prewire, Audio Auxiliary Input Jack | - | - | - | ● | - | ● |
| 6-Disc Changer | - | ● | ● | ● | - | - |
| 4-Disc Changer | - | - | - | - | - | ● |
| Steering Wheel Audio Controls | - | ● | ● | ● | ● | ● |
| Diversity Antenna, Glass Imprinted Antenna | - | ● | ● | ● | ● | ● |
| Air Conditioning, Cabin Air Filter, Rear-Seat Heater Ducts | ● | ● | - | - | ● | - |
| Tri-Zone Automatic Climate Control, Steering Wheel Climate Controls, Cabin Air Filter, Rear Seat Heater Ducts | - | - | ● | ● | - | ● |
| Fabric Seat & Door Trim Material | ● | - | - | - | - | - |
| Premium Cloth Seat & Door Trim Material | - | ● | - | - | ● | - |
| Leather Seat Surfaces & Simulated Leather Door Trim | - | - | ● | ● | - | ● |
| Front Captain Seats | ● | ● | ● | ● | ● | ● |
| Power 8-Way Adjustable Driver Seat w/Lumbar Support | ● | ● | - | - | - | - |
| Power, Heated 8-Way Adjustable Driver Seat, w/Lumbar Support | - | - | ● | - | - | - |
| Power, Heated 10-Way Adjustable Driver Seat, w/Lumbar Support | - | - | - | ● | - | ● |
| Driver Seat w/Recline, Cushion-Height Adjustment | - | - | - | - | ● | - |
| Front Passenger Seat w/Recline, Fore/Aft | ● | ● | - | - | ● | - |
| Manual, Heated 4-Way Adjustable Passenger Seat w/Recline, Fore/Aft | - | - | ● | - | - | - |
| Power, Heated 4-Way Adjustable Passenger Seat | - | - | - | ● | - | ● |
| 40/20/40 Split Middle Seats w/Slide, Recline, Foldable Armrest | ● | ● | ● | ● | - | ● |
| 40/20/40 Split Rear Seats w/Slide, Recline, Foldable Armrest | - | - | - | - | ● | - |
| Remote Release in Cargo Area | ● | ● | ● | ● | - | ● |
| 3rd Row Flat Folding Bench-Seat | ● | ● | ● | ● | - | ● |
| Toyota Center Stow™ Seat/Console | ● | ● | ● | ● | ● | ● |
| All-Position Vertically Adjustable Headrests | ● | ● | ● | ● | ● | ● |
| Power Door Locks, Power Windows w/Driver Side Auto Up/Down | ● | ● | ● | ● | ● | ● |
| Optitron Gauges, Water Temperature Gauge, Dual Trip Odometer | ● | ● | ● | ● | ● | ● |
| Multi-Information Display, Outside Temperature Gauge | - | ● | ● | ● | ● | ● |
| Tachometer | ● | ● | ● | ● | - | - |
| Kilowatt Power Meter | - | - | - | - | ● | ● |
| Dual Vanity Mirrors | ● | ● | ● | - | ● | - |
| Dual Illuminated Vanity Mirrors | - | - | - | ● | - | ● |
| Auto-Dimming Rear View Mirror w/Digital Compass | - | - | - | ● | - | ● |
| Leather-Wrapped Steering Wheel & Shift Knob | - | ● | ● | ● | - | ● |
| 4-Spoke Tilt/Telescopic Steering Wheel | ● | ● | ● | ● | ● | ● |
| Woodgrain Trim | - | - | - | ● | ● | ● |
| Scuff Plates | ● | ● | ● | ● | - | - |
| Tonneau Cover | - | ● | ● | ● | ● | ● |
| Carpeting, Carpet Floor Mats | ● | ● | ● | ● | ● | ● |

| | FWD | 4WD V6 | 4WD V6 Sport | 4WD V6 Ltd | Hybrid 4WD-i Ltd | Hybrid 4WD-i |
|---|-----|--------|--------------|------------|------------------|--------------|
| CONVENIENCE | | | | | | |
| Cruise Control, Digital Clock | ● | ● | ● | ● | ● | ● |
| Push Button Start, Smart Key System | - | - | - | ● | ● | ● |
| Overhead Sunglass Storage, Front & Rear Cupholders | ● | ● | ● | ● | ● | ● |
| Front Centre Console Box w/Lid | ● | ● | ● | ● | ● | ● |
| Front Seat Back Pockets | ● | ● | ● | ● | ● | ● |
| Cargo Area Tie-Down Rings, Shopping Hooks, Coat Hooks | ● | ● | ● | ● | ● | ● |
| Under Cargo Area Storage Compartment | ● | ● | ● | ● | ● | ● |
| Door Map Pockets | ● | ● | ● | ● | ● | ● |
| Power Rear Door w/Jam Protection | - | ● | ● | ● | - | ● |
| Integrated Garage Door Opener | - | - | - | ● | - | ● |
| Accessory Power Outlet, Retained Accessory Power | ● | ● | ● | ● | ● | ● |
| Backup Camera w/3.5" TFT Display | - | ● | ● | ● | ● | - |
| DVD Based Navigation System ² w/Backup Camera, 8.0" LCD Display | - | - | - | - | - | ● |
| Cargo Lamp, Door Courtesy Lamps, Glove Box Lamp | ● | ● | ● | ● | ● | ● |
| Rear Reading Lamps | - | - | - | ● | - | ● |
| Front & Rear Area Lamps, Map Lamps | ● | ● | ● | ● | ● | ● |
| Illuminated Ignition Key & Entry | ● | ● | ● | ● | ● | ● |
| Keyless Entry | ● | - | - | - | ● | - |
| Keyless Entry w/Hatch Release | - | ● | ● | ● | - | ● |
| SAFETY | | | | | | |
| Dual-Stage Driver & Front Passenger Airbag Supplemental Restraint System (SRS) ¹ | ● | ● | ● | ● | ● | ● |
| Front Passenger Airbag Status Indicator | ● | ● | ● | ● | ● | ● |
| Front Seat-Mounted Side Airbags (SRS) ¹ | ● | ● | ● | ● | ● | ● |
| Driver Knee Airbag (SRS) ¹ | ● | ● | ● | ● | ● | ● |
| Roll-Sensing Front & Rear Head/Side Curtain Airbags (SRS) ¹ | ● | ● | ● | ● | ● | ● |
| Active Front Headrests | ● | ● | ● | ● | ● | ● |
| Front Seatbelt Pre-Tensioners & Force Limiters | ● | ● | ● | ● | ● | ● |
| All-Position 3-Point Lap & Shoulder Belts | ● | ● | ● | ● | ● | ● |
| Front Seatbelt Anchor Height Adjusters | ● | ● | ● | ● | ● | ● |
| Anchor Points for Child Restraint Seats | ● | ● | ● | ● | ● | ● |
| Child Protector Rear Door Locks | ● | ● | ● | ● | ● | ● |
| Front Tow Hook | ● | ● | ● | ● | ● | ● |
| Assist Grips | ● | ● | ● | ● | ● | ● |
| Vehicle Anti-theft System | - | - | - | ● | - | ● |
| Engine Immobilizer | ● | ● | ● | ● | ● | ● |
| Remote Fuel Lid Release | ● | ● | ● | ● | ● | ● |
| Automatic Transmission Fluid Temperature Indicator | ● | ● | ● | ● | - | - |
| Low Fuel, Low Washer Fluid, Door Ajar Warning Indicators | ● | ● | ● | ● | ● | ● |
| Driver & Front Passenger Seatbelt Warning Indicators | ● | ● | ● | ● | ● | ● |
| Tire Pressure Monitoring System | ● | ● | ● | ● | ● | ● |

● = Standard - = Not Available

2010 Highlander/Highlander Hybrid Specifications

| | FWD | 4WD V6 | 4WD V6 Sport | 4WD V6 Ltd | Hybrid 4WD-i Ltd | Hybrid 4WD-i |
|--|-----|--------|--------------|------------|------------------|--------------|
| MECHANICAL | | | | | | |
| Engine | | | | | | |
| 2.7 Litre, 4-Cylinder, DOHC, 16-Valve, Dual Variable Valve Timing w/intelligence (Dual VVT-i), Sequential Multipoint Electronic Fuel Injection | ● | - | - | - | - | - |
| 3.5 Litre, V6, DOHC, 24-Valve, Dual Variable Valve Timing w/intelligence (Dual VVT-i), Sequential Multipoint Electronic Fuel Injection | - | ● | ● | ● | - | - |
| 3.3 Litre, V6, DOHC, 24-Valve, Variable Valve Timing w/intelligence (VVT-i), Sequential Multipoint Electronic Fuel Injection | - | - | - | - | ● | ● |
| Compression Ratio | | | | | | |
| 10.0:1 | ● | - | - | - | - | - |
| 10.8:1 | - | ● | ● | ● | ● | ● |
| Horsepower | | | | | | |
| 187 hp [140 kW] @ 5800 rpm | ● | - | - | - | - | - |
| 270 hp [201 kW] @ 6200 rpm | - | ● | ● | ● | - | - |
| 208 hp [155 kW] @ 5600 rpm (Gas Engine Only) | - | - | - | - | ● | ● |
| Torque | | | | | | |
| 186 lb.ft. [252 N.m.] @ 4100 rpm | ● | - | - | - | - | - |
| 248 lb.ft. [336 N.m.] @ 4700 rpm | - | ● | ● | ● | - | - |
| 212 lb.ft. [287 N.m.] @ 3600 rpm (Gas Engine Only) | - | - | - | - | ● | ● |
| Electric Motor | | | | | | |
| Front: Permanent Magnet Motor, 167 hp [123 kW] @ 4500 rpm, 247 lb.ft. [335 N.m.] @ 0-1500 rpm, AC 650V | - | - | - | - | ● | ● |
| Rear: Permanent Magnet Motor, 68 hp [50 kW] @ 4610-5120 rpm, 96 lb.ft. [130 N.m.] @ 0-610 rpm, AC 650V | - | - | - | - | ● | ● |
| Hybrid System Net Power | | | | | | |
| Net Horsepower: 270 hp [201 kW] ⁶ | - | - | - | - | ● | ● |
| Net Torque: Output will vary depending upon HV Battery state and demand on vehicle | - | - | - | - | ● | ● |
| HV Battery | | | | | | |
| Sealed Nickel-Metal Hydride (Ni-MH) | - | - | - | - | ● | ● |
| Maximum Power Output: 45 kW | - | - | - | - | ● | ● |
| Voltage: 288V | - | - | - | - | ● | ● |

● = Standard ○ = Optional - = Not Available

| | FWD | 4WD V6 | 4WD V6 Sport | 4WD V6 Ltd | Hybrid 4WD-i Ltd | Hybrid 4WD-i |
|---|-----|--------|--------------|------------|------------------|--------------|
| MECHANICAL (cont'd) | | | | | | |
| Suspension | | | | | | |
| Front/Rear: 4-Wheel Independent MacPherson Gas Struts w/Front & Rear Stabilizer Bars and Anti-Vibration Subframe | ● | ● | ● | ● | ● | ● |
| Front/Rear: Sport-Tuned Suspension | - | - | ● | - | - | - |
| Drivetrain | | | | | | |
| Front Engine/Front Wheel Drive, Vehicle Stability Control (VSC), Traction Control (TRAC) | ● | - | - | - | - | - |
| Full-Time 4WD, Vehicle Stability Control (VSC), Hill-start Assist Control (HAC), Downhill Assist Control (DAC), Traction Control (TRAC) | - | ● | ● | ● | - | - |
| Vehicle Dynamics Integrated Management (VDIM), Vehicle Stability Control (VSC), Traction Control (TRAC), On Demand Electronic 4WD-i | - | - | - | - | ● | ● |
| Transmission | | | | | | |
| 6-Speed, Automatic, Electronically Controlled Transmission (ECT), Overdrive, Sequential Shift Mode | ● | - | - | - | - | - |
| 5-Speed, Automatic, Electronically Controlled Transmission (ECT), Overdrive, Sequential Shift Mode | - | ● | ● | ● | - | - |
| Gate-Type Shifter, Lock-Up Torque Converter, Transmission Cooler | ● | ● | ● | ● | - | - |
| Electronically Controlled Continuously Variable Transmission (ECVT), Power Split Device, Transmission Cooler | - | - | - | - | ● | ● |
| Brakes | | | | | | |
| Power-Assisted, Ventilated Front Discs, Solid Rear Discs, Antilock Braking System (ABS) w/Electronic Brake-force Distribution (EBD) & Brake Assist (BA) | ● | ● | ● | ● | ● | ● |
| Integrated Regenerative Braking System, Electronically Controlled Hydraulic Braking System (ECB2) | - | - | - | - | ● | ● |
| Steering | | | | | | |
| Electric Rack & Pinion w/Variable Power Assist | ● | ● | ● | ● | ● | ● |
| Tires | | | | | | |
| P245/65R17, All-Season Radials, Full-Size Spare w/Alloy Wheel | ● | ● | - | - | ● | - |
| P245/55R19, All-Season Radials, Full-Size Spare w/Alloy Wheel | - | - | ● | ● | ○ | ● |

