

Safety

Your safety is what drives us. That's why we've given Corolla an impressive list of active and passive safety features as standard equipment. From systems designed to help you avoid accidents to those that can help protect you should a collision occur, Corolla takes your safety seriously. For instance, the Supplemental Restraint System (SRS)¹ consists of six airbags to help protect occupants from virtually any angle. And in the event of a collision, Corolla's body structure has been refined and strategically reinforced to better absorb and channel crash energy around and away from the passenger cabin.

[A] ADVANCED AIRBAG SYSTEM¹ In a collision, the standard dual-stage front airbag system senses impact severity while adjusting airbag deployment accordingly.

[B] SIDE AIRBAGS¹ Corolla comes standard with front seat-mounted side airbags.

[C] FRONT & SECOND ROW SIDE CURTAIN AIRBAGS¹ The standard side curtain airbags cover the length of the cabin from the front seats to the back seats.

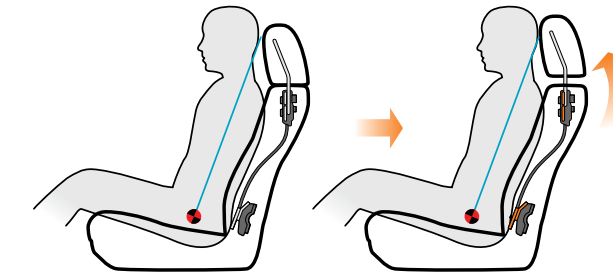
[D] SEATBELTS Corolla features a 3-point Emergency Locking Retractor seatbelt for the driver's seat and Automatic/Emergency Locking Retractors for all passenger belts.

[E] TIRE PRESSURE MONITOR SYSTEM The 2011 Corolla automatically monitors your tire pressure, alerting you if it falls critically low (optional on CE).



ACTIVE FRONT HEADRESTS

Corolla comes standard with active headrests in the front seats that help maintain the occupants' head position in the event of certain lower speed, rear-end collisions.



STAR SAFETY SYSTEM™

2011 Corolla comes standard with the Star Safety System™. This integration of active safety features is designed to protect occupants by helping drivers avoid accidents in the first place. The Star Safety System™ includes Vehicle Stability Control (VSC),⁵ Traction Control (TRAC), Anti-lock Brake System (ABS), Electronic Brake-force Distribution (EBD), Brake Assist (BA),⁶ and Smart Stop Technology (SST).⁷

VSC VEHICLE STABILITY CONTROL

Helps prevent slips and loss of traction by reducing engine power and applying the brake force to the wheels that need it.⁵

TRAC TRACTION CONTROL

Helps maintain traction on wet, icy, loose or uneven surfaces by applying brake force to the spinning wheel(s).

ABS ANTI-LOCK BRAKE SYSTEM

Prevents brakes from locking up by "pulsing" brake pressure to each wheel to help you stay in control in emergency braking situations.

EBD ELECTRONIC BRAKE-FORCE DISTRIBUTION

Redistributes brake force to help keep the rear wheels from locking up during sudden braking situations.

BA BRAKE ASSIST

Detects sudden or "panic" braking and adds the full pressure needed to help prevent a collision.⁶

SST SMART STOP TECHNOLOGY

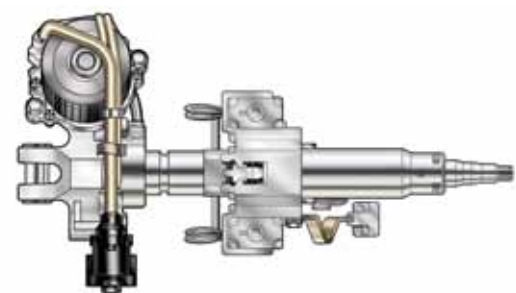
Smart Stop Technology is designed to reduce engine power when the brake is firmly applied helping to bring the vehicle to a stop, even if the accelerator pedal is fully depressed.⁷

Toyota is the first full-line manufacturer to make all of the elements of the Star Safety System™ standard on every new 2011 vehicle. Visit toyota.ca for more details.

Performance

To drive the 2011 Corolla is to experience life in the technological fast lane. Simply press the gas pedal and the electronically controlled throttle body triggers your acceleration. The CE, LE and S models are powered by a 1.8-litre 132 hp engine, while the XRS model is outfitted with a 2.4-litre 158 hp engine. And the Corolla achieves a remarkable balance of performance and efficiency, thanks in part to its lightweight aluminum alloy engine block and cylinder head and its Variable Valve Timing with intelligence innovation, which helps the engine to optimize power, emissions and efficiency.

LE shown in Classic Silver Metallic.



ELECTRIC POWER STEERING The Electric Power Steering (EPS) helps steering response to guide you through the twists and turns of the road.



REFINED SUSPENSION Corolla's impressive handling begins with its rigid chassis. Built to resist body flex, it provides a reliable platform so that the suspension can best do its job. The front suspension, mounted to an additional sub-frame to reduce noise and vibration, is tuned for precision handling. In back, the rear suspension employs a torsion type design that further smoothes the ride quality.

SUPER COOLING SYSTEM The aluminum-alloy XRS engine uses lightweight, high-compression (9.8:1) pistons, kept cool by a "water jacket" that surrounds the cylinder walls to help make the engine block lighter and more compact.

Toyota Quality

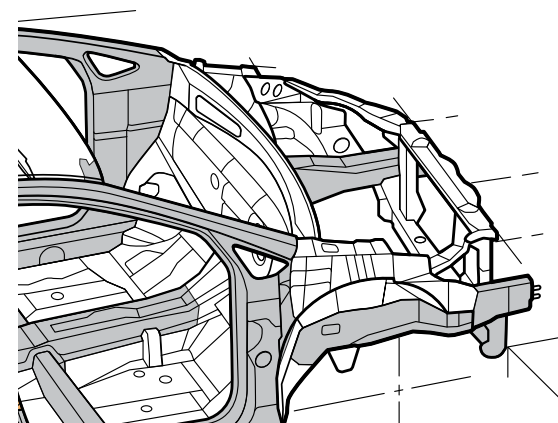
Quality is built right into the production process from the selection of raw materials, right down to the vehicle's final inspection. And it is the responsibility of everyone to ensure the highest quality possible on each and every vehicle. It's through Toyota's philosophy of 'Kaizen' that we are always looking for ways to continually improve. That's how we make things better.

THE TOYOTA PRODUCTION PROCESS is one that is constantly evolving. With our "Just-In-Time" practice, the goal is to make certain that during the manufacturing process, only what is needed gets produced. The result is twofold: because there's no excess supply, any issues are exposed and promptly resolved to ensure that everything off of the Toyota assembly line is of exceptional quality.



THE HUMAN TOUCH. As impressive as the machinery is, the achievement of perfect fit and finish is also the result of continuous human touch for every step of the way.

TOYOTA CANADA COLD RESEARCH CENTRE. Located in Timmins, Ontario, our teams test Toyota vehicles in actual Canadian winter conditions at our cold weather testing track to ensure that they remain dependable throughout the long winter months.



For more information visit toyota.ca

2011 Colours



040 Alpine White^{A,C,D}



1F7 Classic Silver Metallic^{A,C,D}



1G3 Magnetic Grey Metallic^{A,C,D}



209 Black Sand Pearl^{A,C,D,F}



3R3 Barcelona Red Metallic^{C,D,E,F}



4T8 Sandy Beach Metallic^B



8S6 Nautical Blue Metallic^{A,C,D}

Please see your Toyota Dealer for details.

Interior colour options

- ^A Ash Fabric on CE, LE.
- ^B Bisque Fabric on CE, LE.
- ^C Dark Charcoal Fabric on S, XRS.
- ^D Dark Charcoal Leather on S, XRS (Leather Package only).
- ^E Ash Fabric on CE.
- ^F Bisque Fabric on LE.

New vehicle warranty summary

NO DEDUCTIBLES – NO TRANSFER FEES

COMPREHENSIVE COVERAGE - 3 YEARS OR 60,000 KM This warranty includes 24 hour Roadside Assistance and other benefits, as well as coverage of repairs on any part of the vehicle that is defective in material or workmanship under normal use and maintenance. Different warranties apply to original tires.

POWERTRAIN COMPONENTS - 5 YEARS OR 100,000 KM This warranty covers repairs to powertrain components that are defective in material or workmanship under normal use and maintenance.

MAJOR EMISSION CONTROL COMPONENTS - 8 YEARS OR 130,000 KM This warranty covers repairs to specified major emission components that are defective in material or workmanship under normal use and maintenance.

CORROSION PERFORATION - 5 YEARS UNLIMITED DISTANCE Any sheet metal found, under normal use, to have developed a perforation from corrosion due to defects in material or workmanship.

